

User Manual



Foxess AC Charger



In order to prevent improper operation before use, please carefully read this manual.

Table of Contents

1. Notes on This Manual	1
1.1 Scope of Validity	1
1.2 Target Group.....	1
1.3 Symbols Used	1
2. Safety.....	2
3. Packing List.....	3
4. Introduction	4
5. Technical Data	5
6. Installation	6
6.1 Handling or moving	6
6.2 Out of the box inspection.....	6
6.3 Install	6
7. Electrical Connection.....	9
8. Operation.....	10
8.1 Charger Status Indicators	10
8.2. Charging mode and Operation	11
9. Maintenance	13
10. Decommissioning	13
10.1 Dismantling the Inverter	13
10.2 Packaging.....	13
10.3 Storage and Transportation.....	13

1. Notes on This Manual

1.1 Scope of Validity

This manual describes the assembly, installation, commissioning, maintenance and troubleshooting of the following model(s) of Fox products:

A7300P1-E1-R
A7300P1-E1-B
A7300P1-E1-S
A7300P1-E2-R
A7300P1-E2-B
A7300P1-E2-S
A7300S1-E1-R
A7300S1-E1-B
A7300S1-E1-S
A7300S1-E2-R
A7300S1-E2-B
A7300S1-E2-S





Note: Please keep this manual where it will be accessible at all times.







1.2 Target Group

This manual is for qualified electricians. The tasks described in this manual only can be performed by qualified electricians.

1.3 Symbols Used

The following types of safety instructions and general information appear in this document as described below:

	Danger! “Danger” indicates a hazardous situation which, if not avoided, will result in death or serious injury.
	Warning! “Warning” indicates a hazardous situation which, if not avoided, could result in death or serious injury.
	Caution! “Caution” indicates a hazardous situation which, if not avoided, could result in minor or moderate injury.
	Note! “Note” provides important tips and guidance.

Symbols	Explanation
	Symbol Explanation CE mark. The charger complies with the requirements of the applicable CE guidelines.
	Beware of hot surface. The charger can become hot during operation. Avoid contact during operation.
	Danger of high voltages. Danger to life due to high voltages in the charger!
	Danger. Risk of electric shock!
	Read the manual.
	Product should not be disposed as household waste.

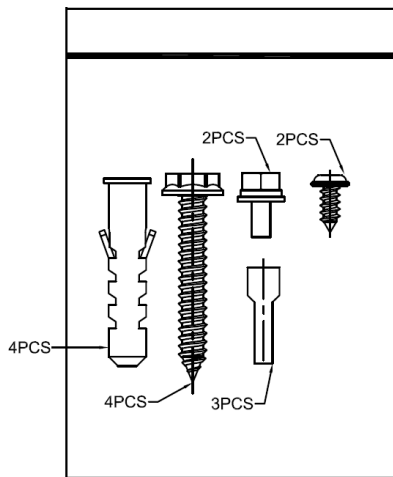
2. Safety

A series chargers are designed and tested in accordance with international safety requirements. However, certain safety precautions must be taken when installing and operating this charger. The installer must read and follow all instructions, cautions and warnings in this installation manual.

- All operations including transport, installation, start-up and maintenance, must be carried out by qualified, trained personnel.
- The electrical installation & maintenance of the charger shall be conducted by a licensed electrician and shall comply with local wiring rules and regulations.
- Before installation, check the unit to ensure it is free of any transport or handling damage, which could affect insulation integrity or safety clearances. Choose the installation location carefully . Unauthorized removal of necessary protections, improper use, incorrect installation and operation may lead to serious safety and shock hazards or equipment damage.
- Do not install the equipment in adverse environmental conditions such as in close proximity to flammable or explosive substances; in a corrosive or desert environment; where there is exposure to extreme high or low temperatures; or where humidity is high.
- Do not use the equipment when the safety devices do not work or are disabled.
- Use personal protective equipment, including gloves and eye protection during the installation.
- Inform the manufacturer about non-standard installation conditions.
- Do not use the equipment if any operating anomalies are found. Avoid temporary repairs.
- All repairs should be carried out using only approved spare parts, which must be installed in accordance with their intended use and by a licensed contractor or authorized Fox service representative.
- Liabilities arising from commercial components are delegated to their respective manufacturers.

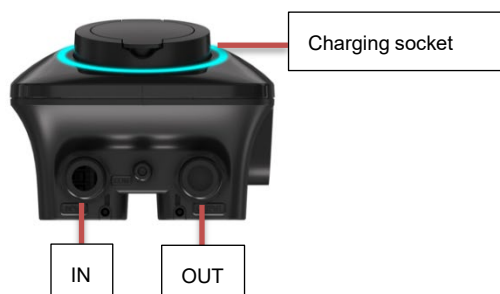
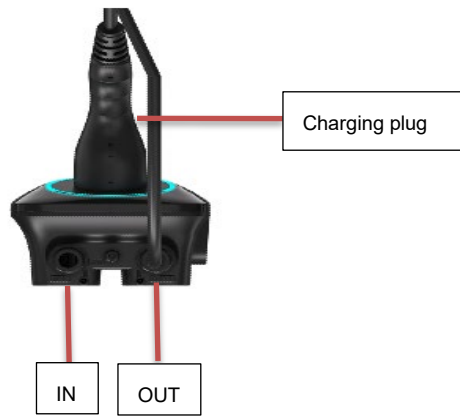
3. Packing List

No.	Name	Qty
1	Charger	1
2	Quality certificate	1
3	Mounting backplane	1
4	Mounting bracket	1
5	accessory kit	1
6	Column installation package	1
7	Rfid 22 card	2



Accessory kit

4. Introduction



5. Technical Data

Model	7.3kW EU AC Charger
General	
Brand	Foxess
Name	AC Charger
Input	
Input line	1P+N+PE
Rated voltage	230Vac, ±20%
Rated current	32A
Rated frequency	50/60Hz
Output	
Output voltage	230Vac, ±20%
Maximum output current	32A
Rated power	7.3kW
Interaction method	
Charging connection method	With cable/socket
Card reader	Mifare ISO/IEC 14443 A
Start-up mode	Plug and Charge/RFID Card/APP
Communication method	
Bluetooth	Yes, 3db, -40-85°C
WiFi	Yes, 2412-2484MHz,802.11b/g/n: 20db
Using environment	
Installation method	Wall mounting/column mounting
Working temperature	-30°C~50°C
Working humidity	5%-95% no condensation
Altitude	≤2000m
Size and weight	
Size	320*190*144.5 mm(socket),320*190*130 mm(plug)
Weight	2.0kg(socket),3.55kg(plug)
Safety	
Waterproof rating	IP65
Anti-collision grade	IK08
RCD	6mA DC
Protection function	Over-current protection, grounding protection, lightning protection, over-voltage protection, under-frequency protection, over-under-temperature protection
Certification	CE/UKCA
Certification standard	EN/IEC 61851-1: 2019, EN/IEC 61851-21-2: 2018

6. Installation

6.1 Handling or moving

To ensure safety, the following points should be paid attention to:

- All accessories are placed separately during transport or handling.
- Avoid violent shock and impact, and take it lightly.
- Avoid inversion.

6.2 Out of the box inspection

- Open the charging pile packaging, please check the random attachment according to the attachment list.
- Check the charging pile for damage in transport. If damage or missing parts are found, do not boot up and inform the carrier and dealer. Determine if this machine is the model that you want to purchase.

Note: Please keep the packing boxes and packaging materials for future handling.

6.3 Install

• Pre-installation preparation

The following tools are required for the installation:

Cross screwdriver, special plum screwdriver, stripping pliers, pressing pliers.

• Installation precautions

Please strictly follow the wiring requirements and correct access.

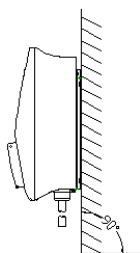
Please confirm that all fasteners are locked to secure the charging pile.

• Installation placement environment and location

- The area where the charger must be placed must be well ventilated, far away from water, combustible gas and corrosive agent.
- Ensure that the ground or installation platform can withstand the weight of the charger.
- If the charger is disassembled and used at low temperature, there may be water droplets condensation phenomenon, be sure to wait for the charger inside and outside completely dry, After dryness can be installed and use, otherwise there is a danger of electric shock.
- Please place the charger near the mains input to disconnect the mains input switch and cut off the power supply in an emergency.

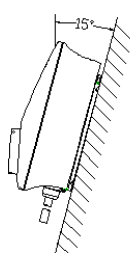
Note: Ensure that the wall or column is vertical or positive 15 ° before installation.

Vertical



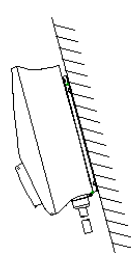
✓

Front



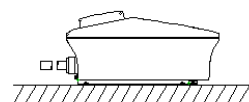
✓

Tilt Back



✗

Tilt Flat

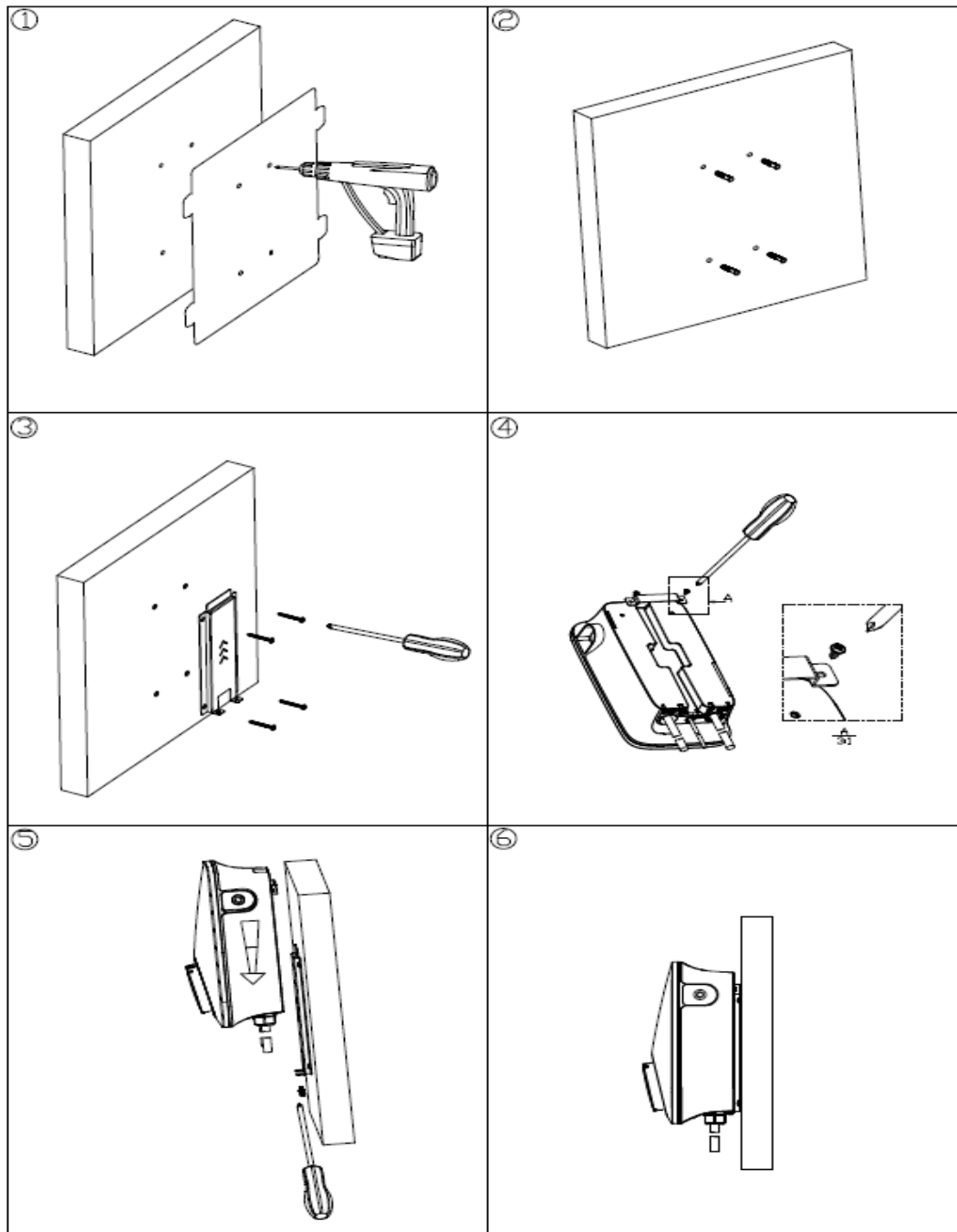


✗

• **Wall-mounted installation method:**

1. Open the package and mark 4 holes in the wall ($\varnothing 8 * 50\text{mm}$)
2. Fit into the expansion tube
3. Attach the mounting backplane with screws to the mounting wall
4. Attach the bracket to the charger
5. Hang the charger into the mounting back plate and screw it
6. Installation completed

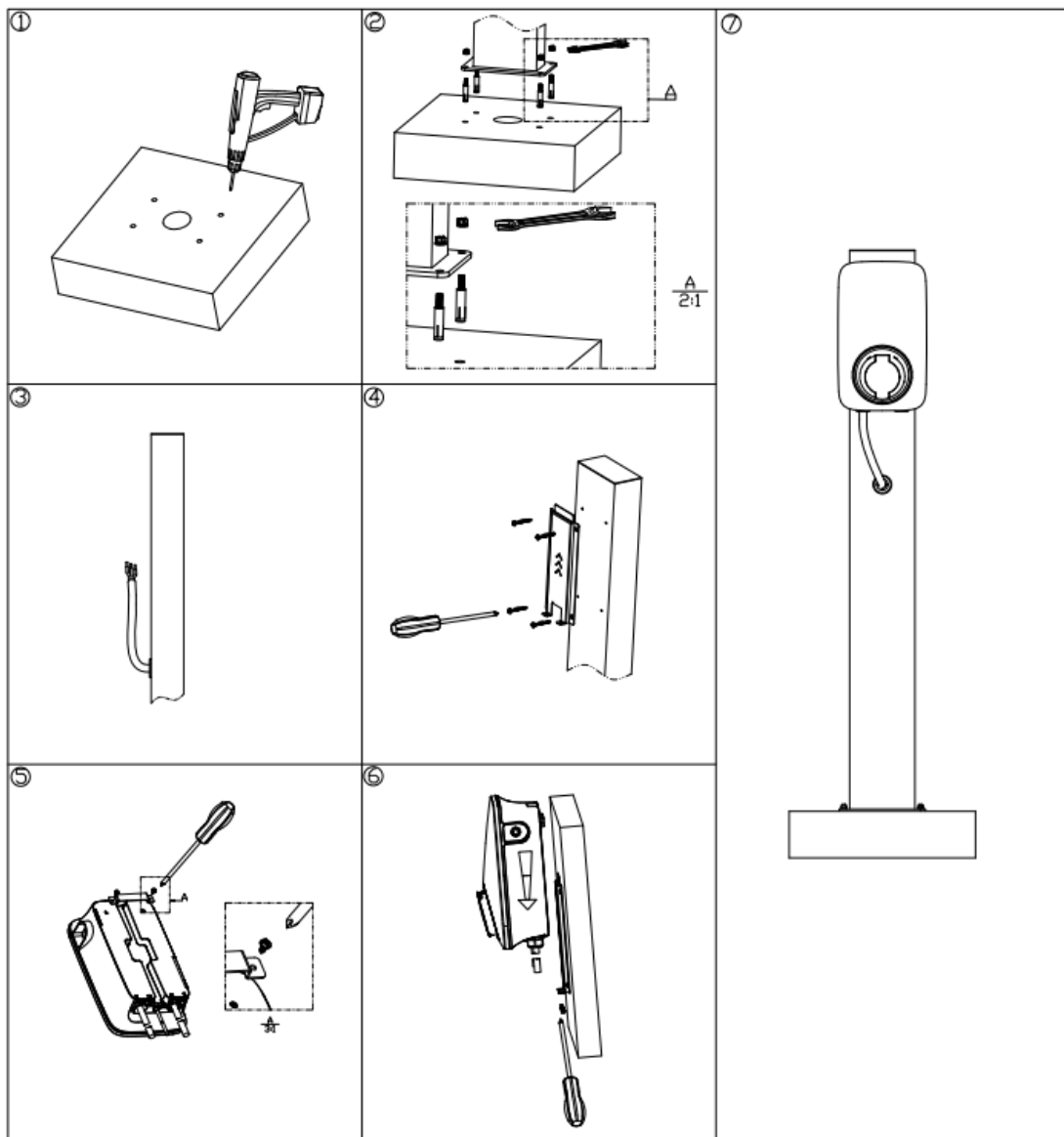
Note: Installation wall angle $90^{\circ}\pm 15$, thickness $> 50\text{mm}$



• **Floor type / Vertical installation method:**

- 1: Drill holes on the cement floor, four 165 * 95 holes with diameter ϕ 10mm deep 50mm screws and one ϕ 60mm through duct hole
- 2: Install and fix the anchor screws
- 3: The input line runs through the column hole through the bottom of the column
- 4: Install the backplane is fixed to the landing column with screws
- 5: Attach the bracket to the charger
- 6: Hang the charger into the mounting back plate and screw it well
- 7: Installation completed

Note: The angle of cement ground $90^{\circ} \pm 15$



7. Electrical Connection

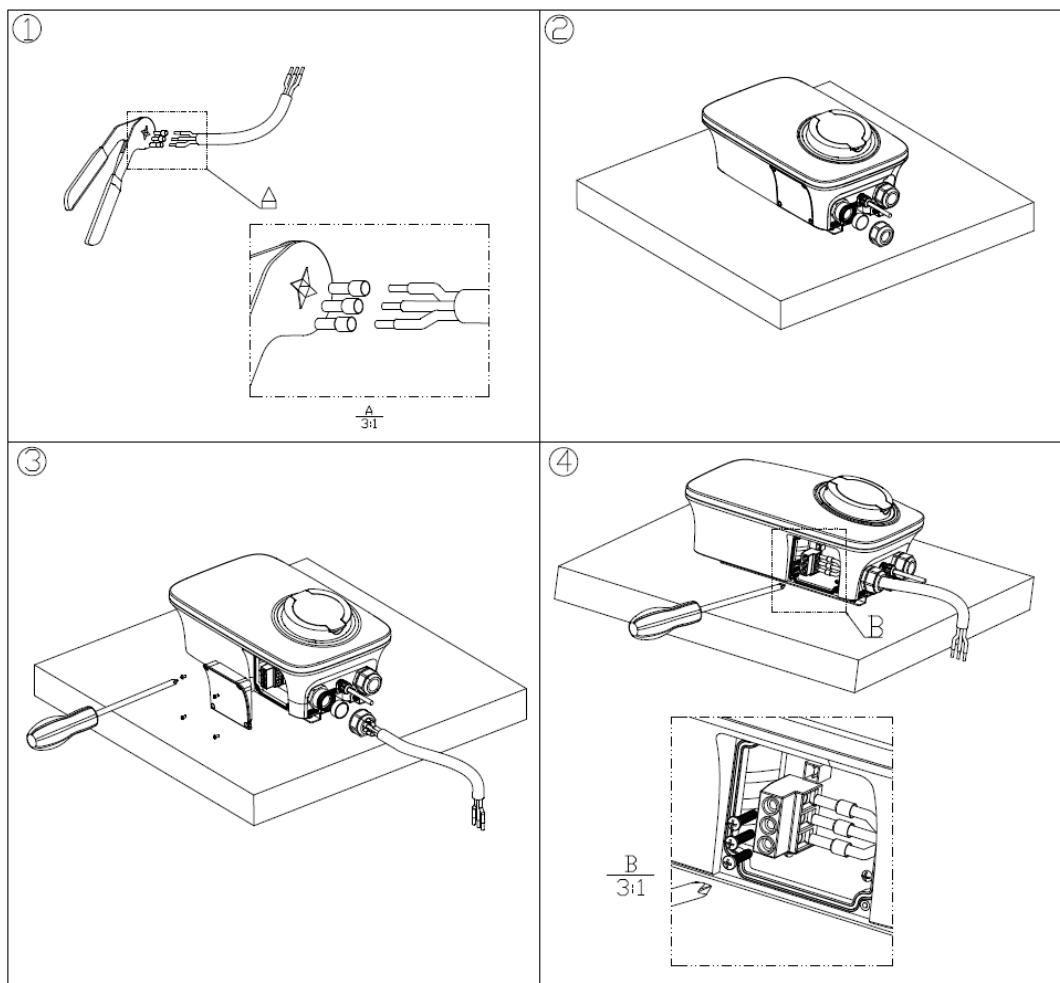
The leakage protection switch needs to be installed, The leakage protection switch shall use TypeA, not less than 63A.and the input wire leads out from the leakage protection switch, choose7~9 AWG wire .

Step 1:Peel three L, N and PE copper 16mm with wire stripping pliers, and press L, N, PE and tube terminals with terminal pliers.

Step 2:Loosen the screw nut and puncture the hole.

Step 3:Open the side cover, load the cable (13-18mm) and tighten the gram head.

Step 4:Unscrew the terminal screws. Link L.N.PE line lock the terminal screw, lock the side cover.



8.Operation

8.1. Charger Status Indicators

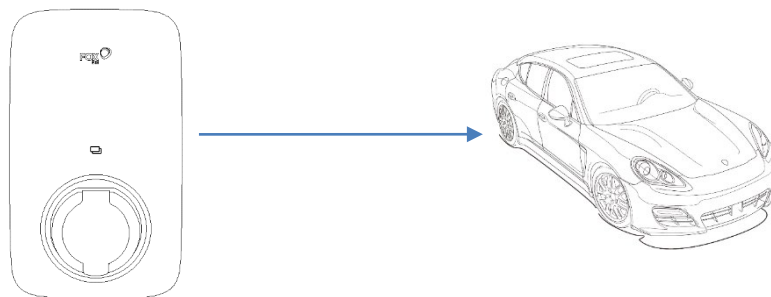
LED Indicator description	Definition
Green Flashing	Device available
Blue Steady	EV connect, User not authorized
Blue Flashing	Authorized, Wait for charging
Blue marquee light	Charging
Blue Flashing	Charging suspension
Green Steady	Charging Finish, Wait for unplug
Yellow Steady	Charging Locking
Red Steady	Device Fault

8.2. Charging mode and Operation

Users can set three charging modes through the charging mode setting interface of the APP: controlled, locked, plug and charge.

A. Plug and charge mode

Charging will start automatically after EV plugged in. If you want to stop the charging, just press the stop button on the side of the charger.

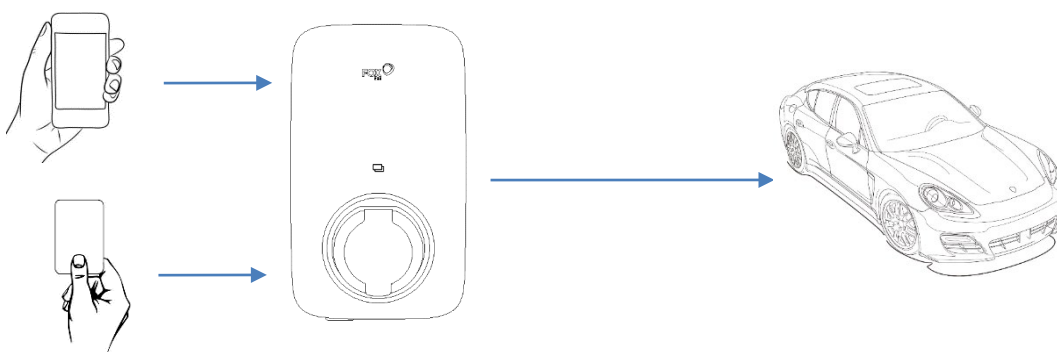


- **Start Charging:**
 1. Set the charger to the Plug and Charge mode
 2. Insert the charging plug into the EV
 3. Charging session started
- **Stop Charging:**

Press the stop button on the side of the charger

B. The controlled mode

Initiate or cease charging by using APP or by swiping RFID card on this mode. You can also use APP for Reservations.



The controlled mode with RFID card

- **Start Charging:**
 - 1: Set the charger to the Controlled mode
 2. Insert the charging plug into the EV
 3. Swipe card
 4. Waiting for authorizing

5. Charging session started

- **Stop Charging:**

1. Swipe card
2. Charging session end

The controlled mode with APP

- **Start Charging:**

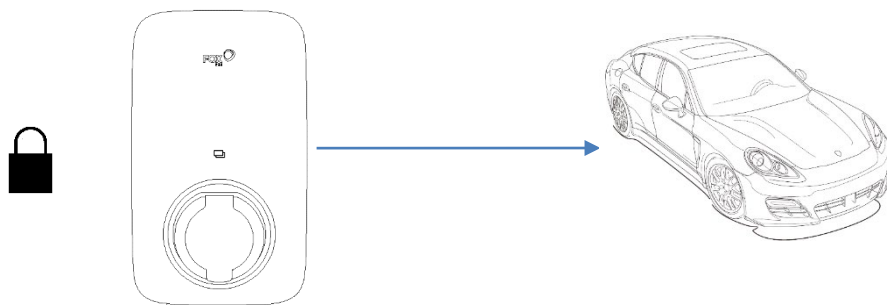
1. Set the charger to the Controlled mode
2. Insert the charging plug into the EV
3. Click to Start the Charge on the APP
4. Waiting for authorizing
5. Charging session started

- **Stop Charging:**

1. Click to Stop the Charge on the APP
2. Charging session end

C. The locked mode

On this mode, the charger is locked and cannot be used.



9.Maintenance

Troubleshoot by Alarm information on APP or LCD display

If fault occurs, users can check the fault information on the APP or by blinks of the LED indicator light.

No.	Fault code on app
1	Electronic lock fault
2	Emergency stop fault
3	Abnormal CP voltage
4	Abnormal AC output contactor
5	Over current
6	Over voltage
7	Undervoltage
8	Electric leakage
9	Reverse connection of line N
10	Abnormal frequency
11	Over temperature of charging interface

10.Decommissioning

10.1 Dismantling the charger

- Disconnect the charger from AC Input and AC output.
- Disconnect communication and optional connection wirings. Remove the charger from the bracket.
- Remove the bracket if necessary.

10.2 Packaging

If possible, please pack the charger with the original packaging. If it is no longer available, you can also use an equivalent box that meets the following requirements.

- Suitable for loads more than 30 kg
- Contains a handle
- Can be fully closed

10.3 Storage and Transportation

Store the charger in dry place where ambient temperatures are always between -40°C - + 70°C. Take care of the charger during the storage and transportation; keep less than 4 cartons in one stack. When the charger or other related components need to be disposed of, please ensure it is carried out according to local waste handling regulations. Please be sure to deliver any charger that needs to be disposed from sites that are appropriate for the disposal in accordance with local regulations.

The copyright of this manual belongs to FOXESS CO., LTD. Any corporation or individual should not plagiarize, partially or fully copy (including software, etc.), and no reproduction or distribution of it in any form or by any means is permitted. All rights reserved.

FOXESS CO., LTD.

Add: No.939, Jinhai Third Road, New Airport Industry Area, Longwan District, Wenzhou,
Zhejiang, China

Tel: 0510- 68092998

WWW.FOX-ESS.COM